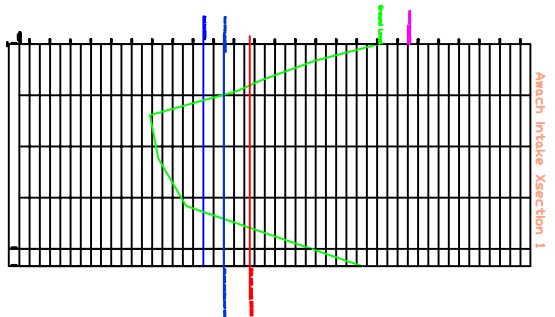
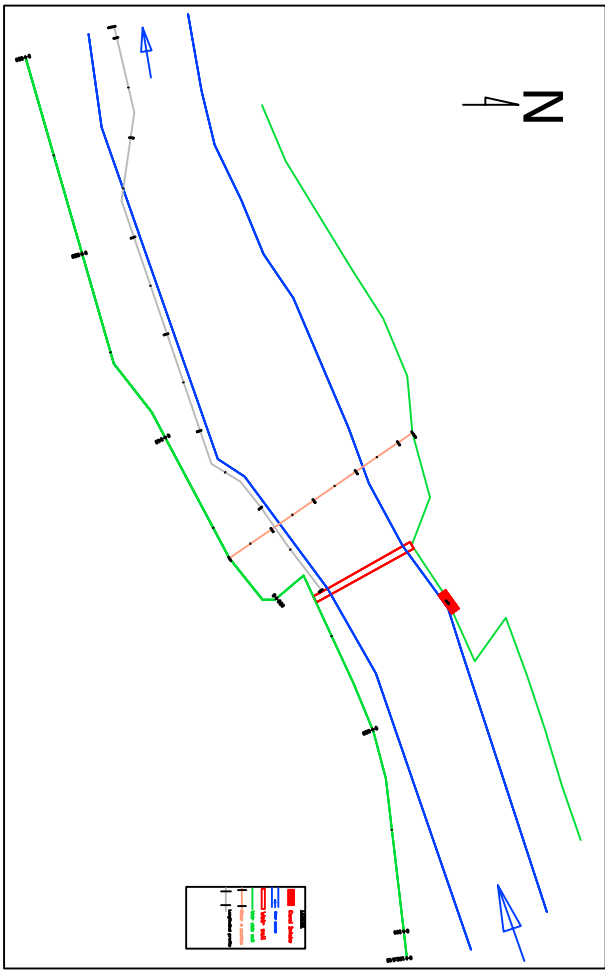
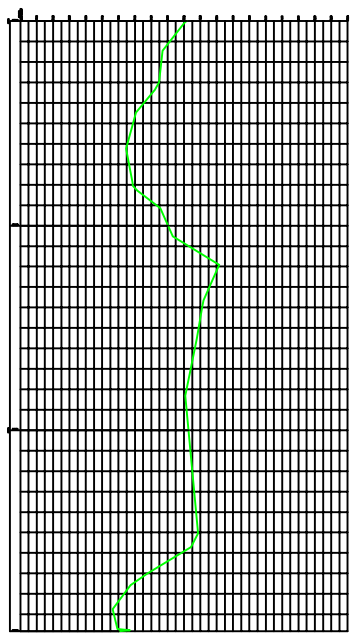


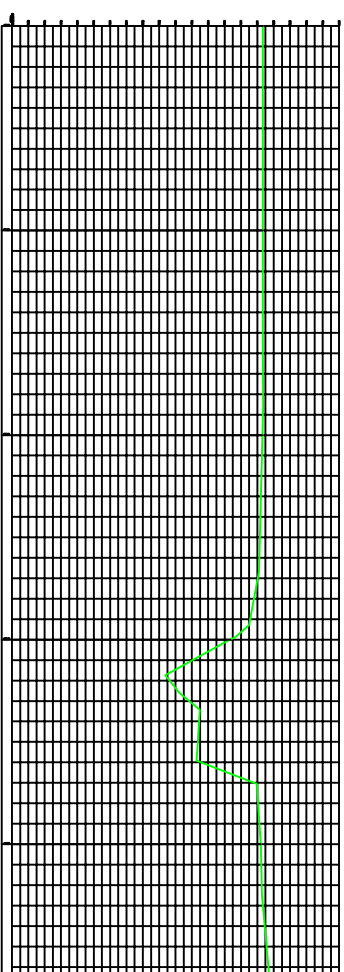
AWACH INTAKE WIER SITE



Awach Intake Cross-section 1

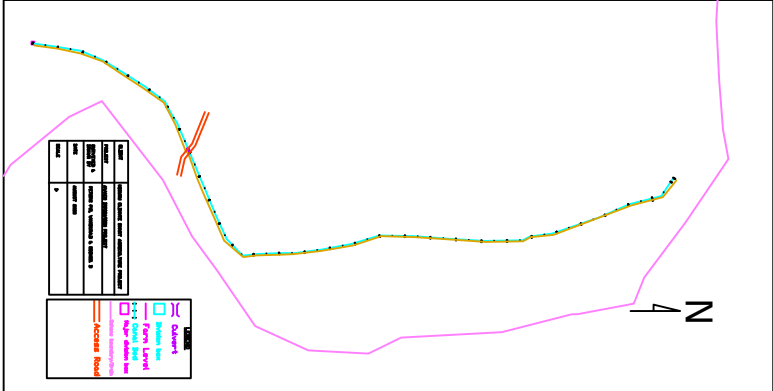


Awach Intake Longitudinal profile

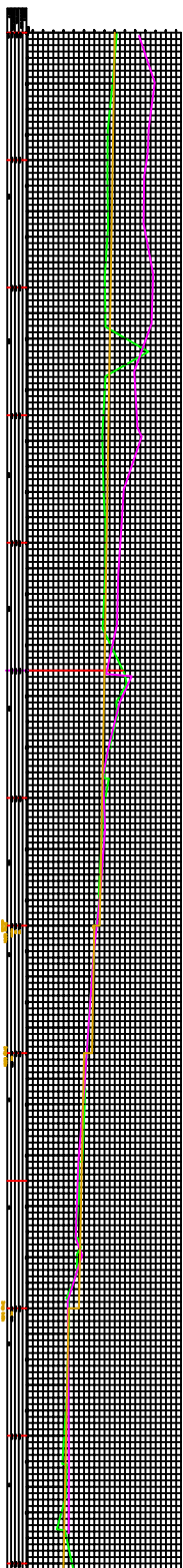


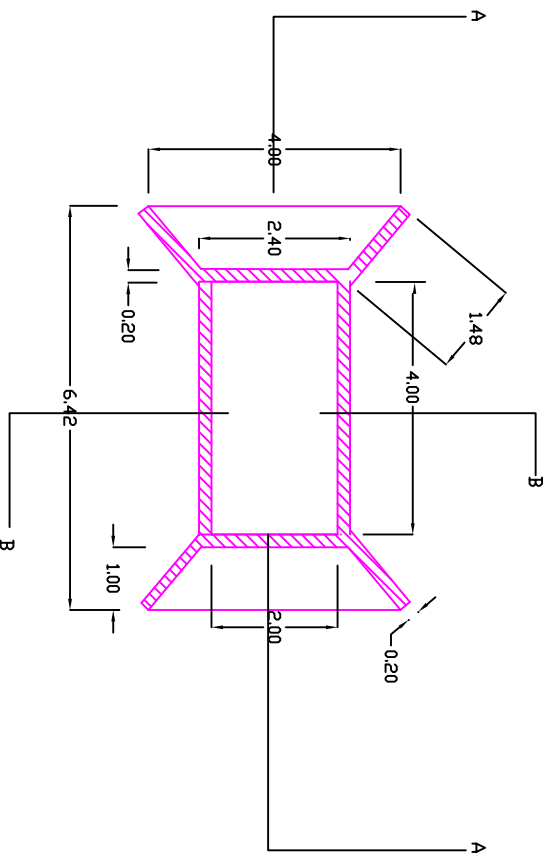
Awach Intake Left River bank Longitudinal profile

AVACH NORTHERN CANAL LAYOUT

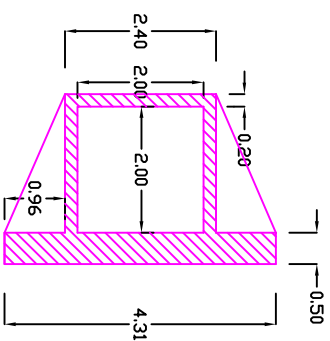


AVACH NORTHERN SECONDARY CANAL PROFILE

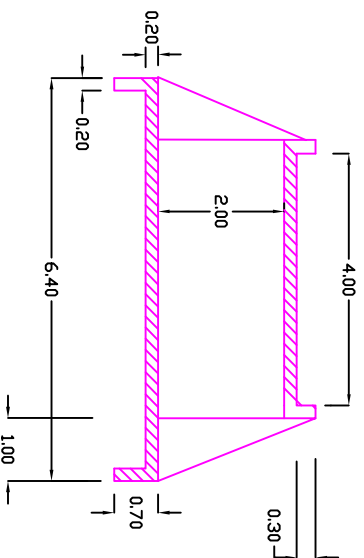




PLAN



SEC B-B



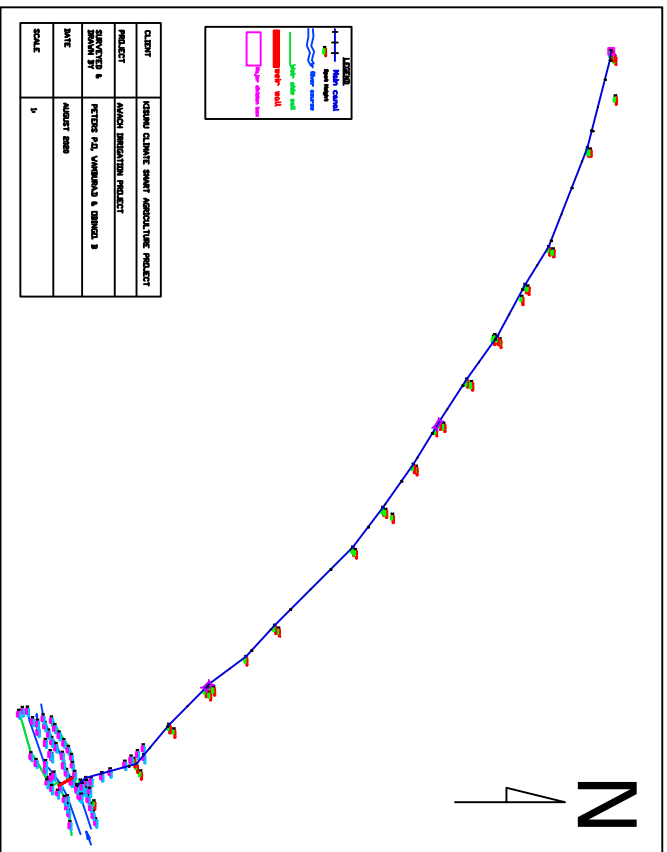
SEC A-A

BOX CULVERT No.1- GEM RAE IRRIGATION PROJECT	
CLIENT	KCSAP-KISUMU COUNTY
PROJECT	AWACH IRRIGATION SCHEME PROJECT
DRAWN BY	DBINGD B.D
DATE	MAY 2020
SCALE	

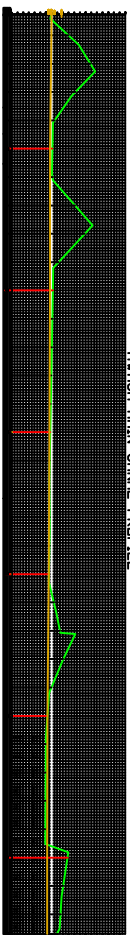
NOTES

- 1 All Dimensions are in Meters
- 2 Minimum cover to rebars is 50mm
- 3 Reinforced concrete to be class 30 of ratio 1½:2 coarse aggregate diameter 20mm

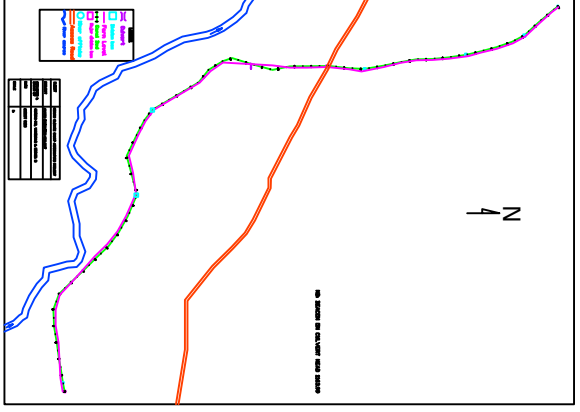
AWACH MAIN CANAL LAYOUT



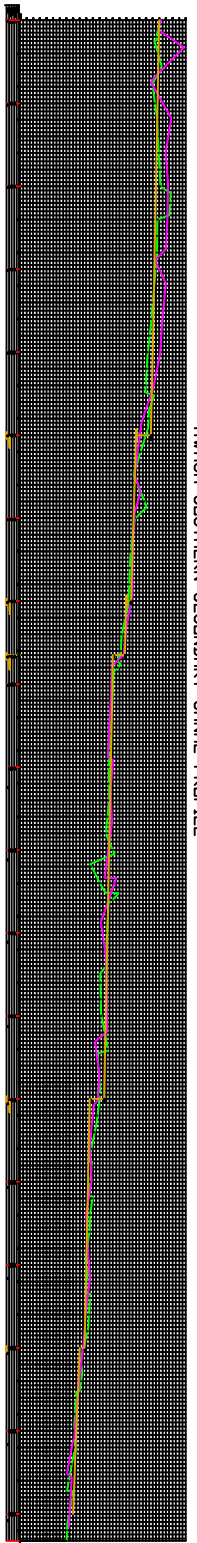
AWACH MAIN CANAL PROFILE



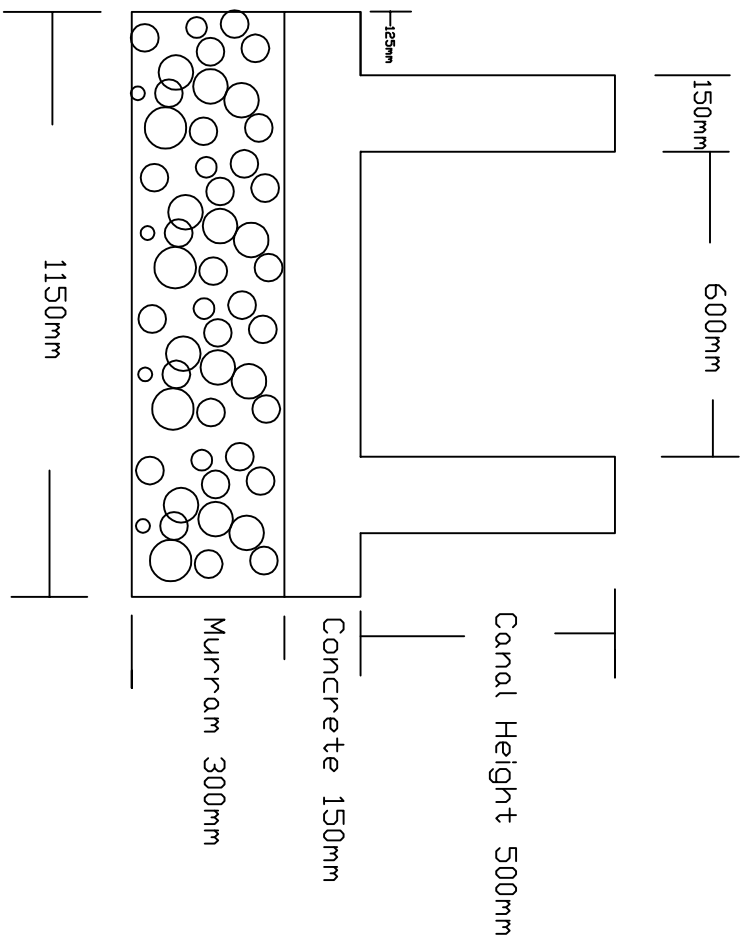
AWACH SOUTHERN CANAL LAYOUT



AWACH SOUTHERN SECONDARY CANAL PROFILE



MAJOR CANAL



MAIN CANAL

