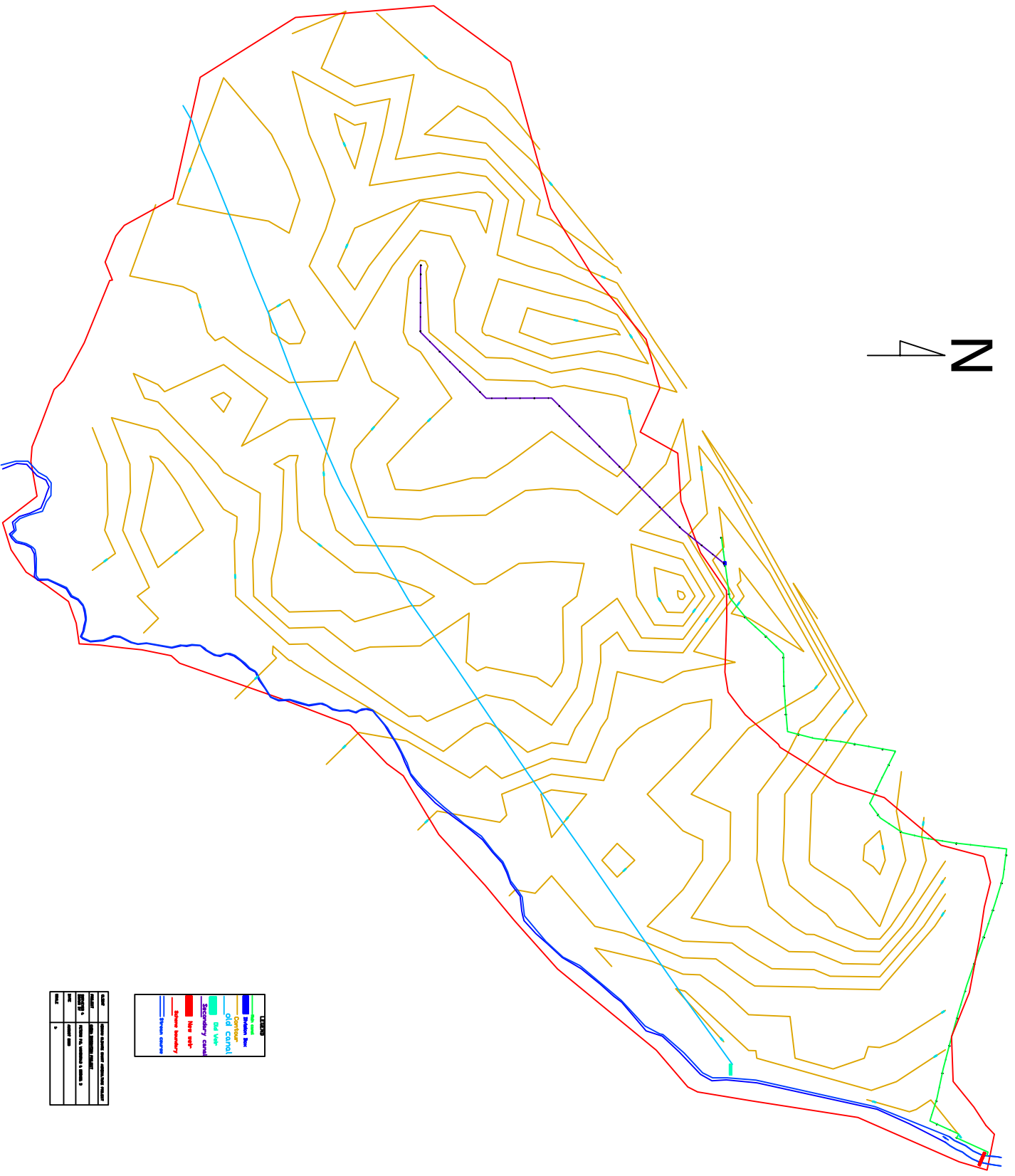


# CHIGA IRRIGATION SCHEME 90.7HA

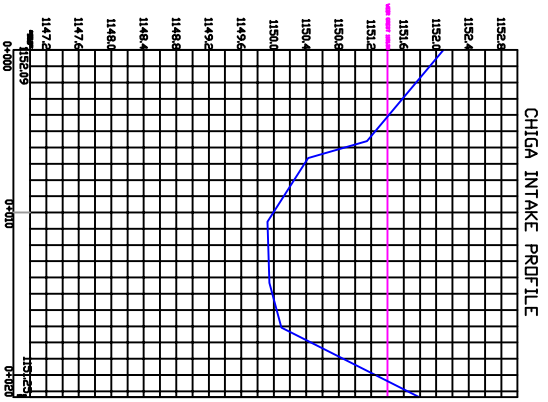
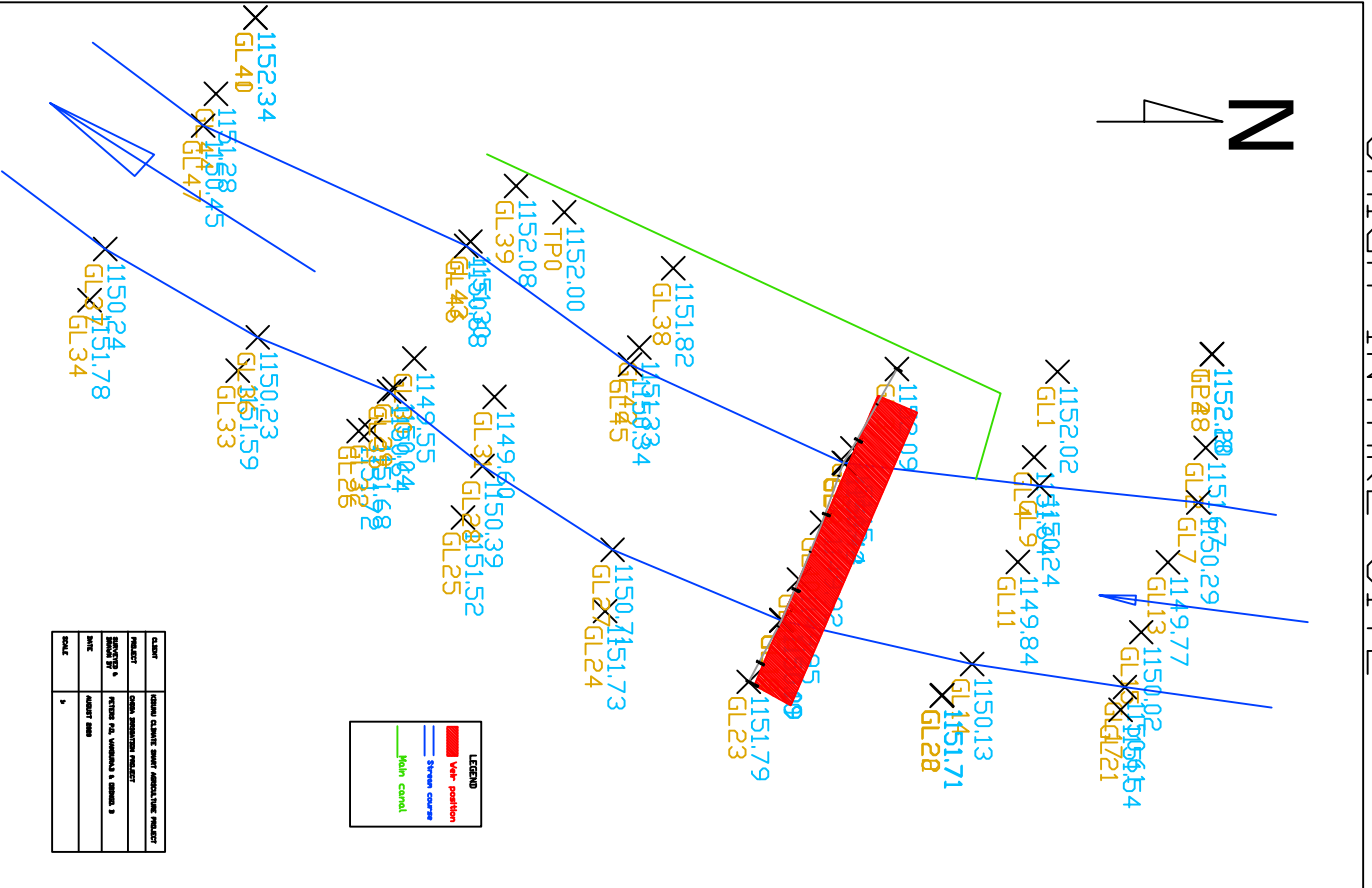
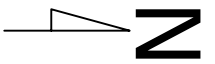
N  
4



LEGEND	
Blue line	Primary canal
Blue line	Secondary canal
Yellow line	Contour line
Red line	Area boundary
Purple line	Other boundary
Green line	Other boundary

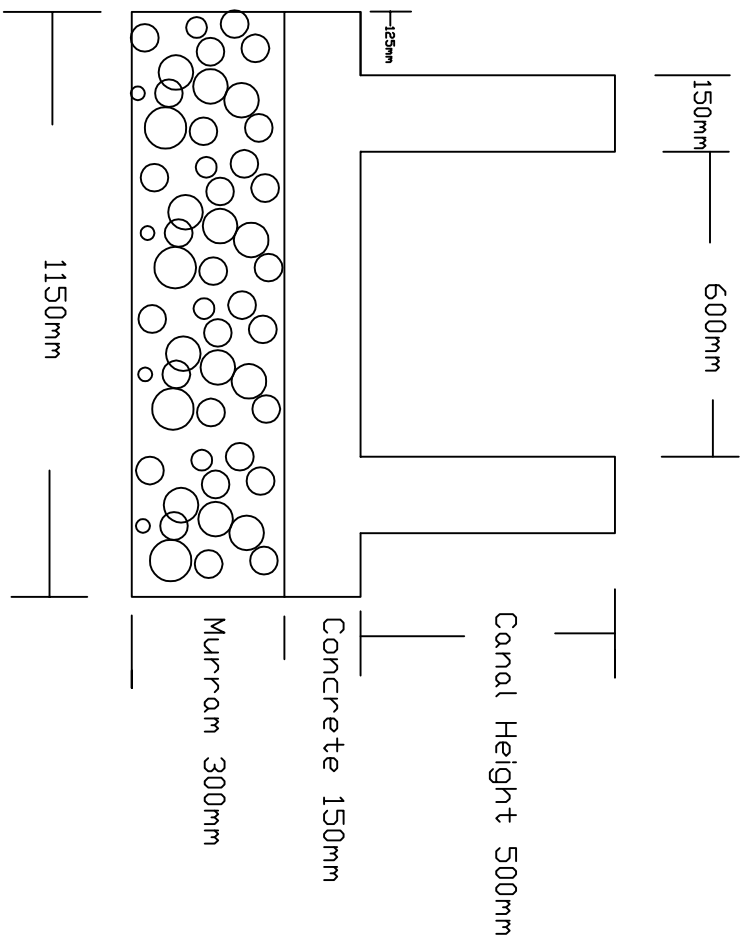
PROJECT INFORMATION	
NAME	CHIGA IRRIGATION SCHEME
LOCATION	CHIGA, WESTERN SHARIA STATE, NIGERIA
DATE	2010
SCALE	1:5000

# CHIGA INTAKE SITE

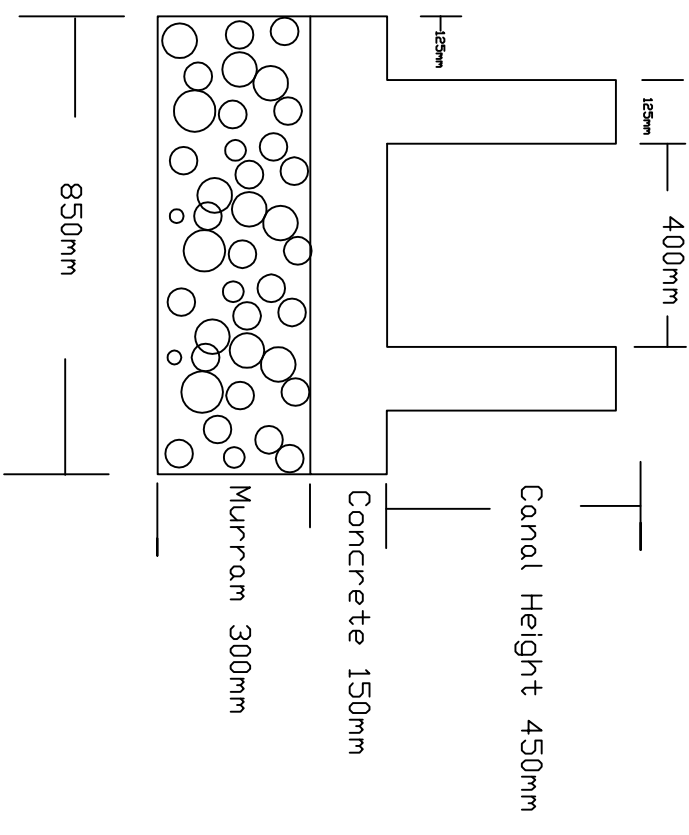


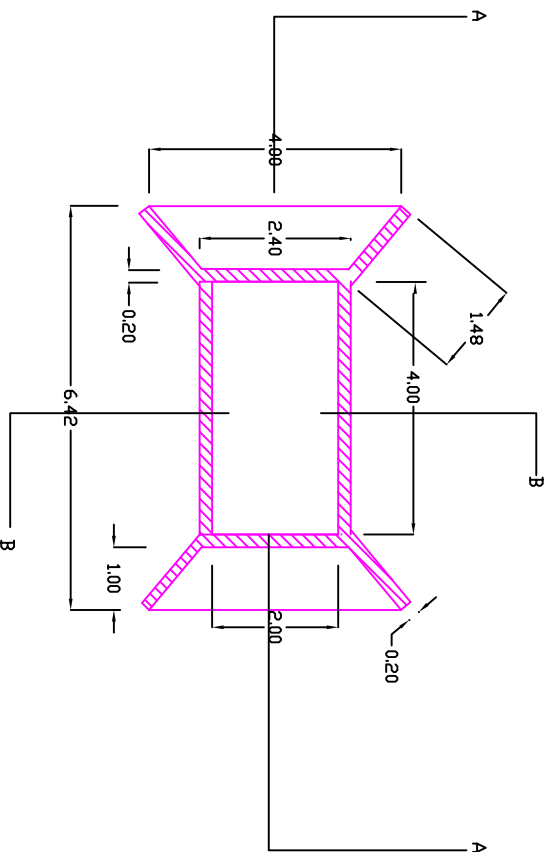


# MAJOR CANAL

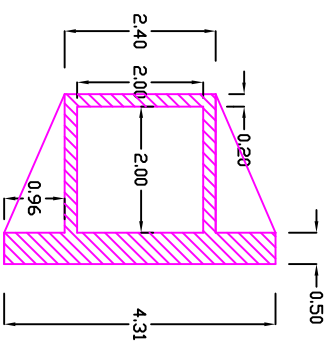


# MAIN CANAL

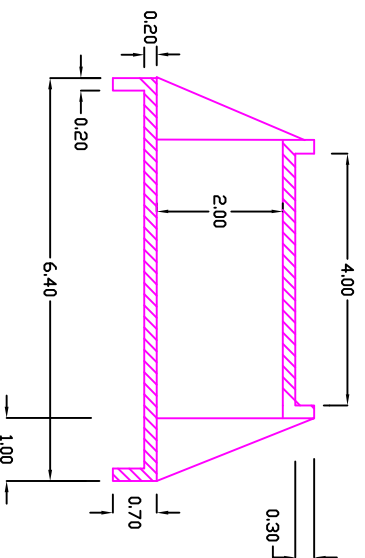




PLAN



SEC B-B



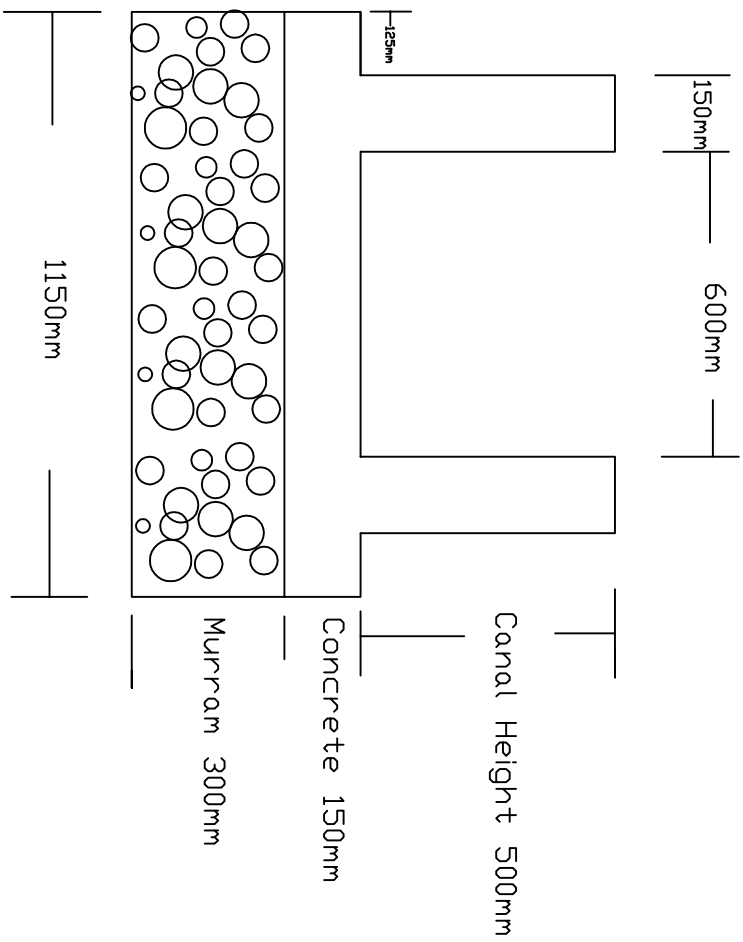
SEC A-A

BOX CULVERT No.1- GEM RAE IRRIGATION PROJECT	
CLIENT	KCSAP-KISUMU COUNTY
PROJECT	CHIGA IRRIGATION SCHEME PROJECT
DRAWN BY	DBINGO B.D
DATE	MAY 2020
SCALE	

**NOTES**

- 1 All Dimensions are in Meters
- 2 Minimum cover to rebars is 50mm
- 3 Reinforced concrete to be class 30 of ratio 1:1½ course aggregate diameter 20mm

# MAJOR CANAL



# MAIN CANAL

