

County Government of
Kisumu

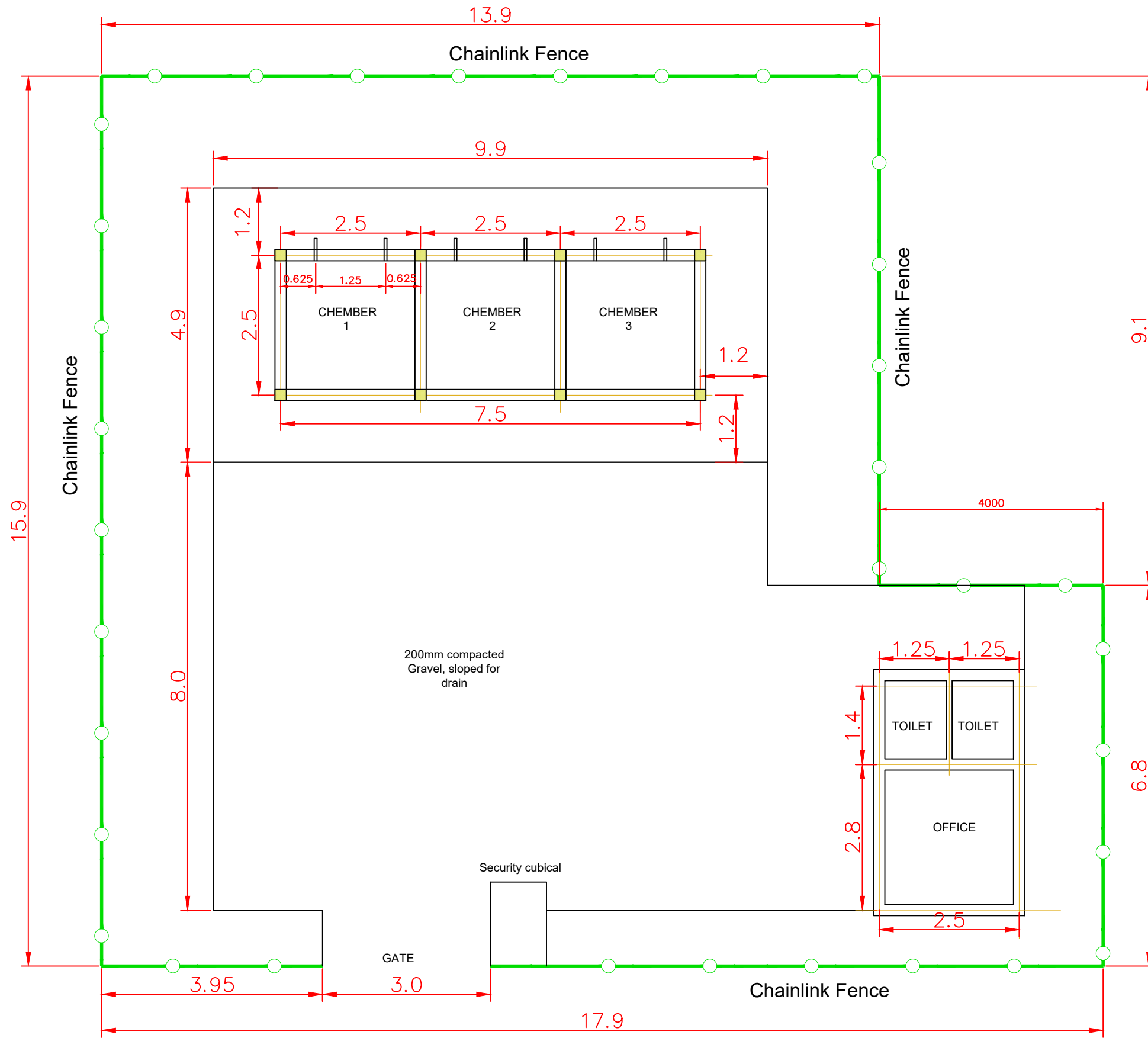


City of Kisumu

DEVELOPMENT OF WASTE MANAGEMENT STATION

DRAWINGS

November, 2020



GENERAL LAYOUT

GENERAL NOTES .

- 1.This drawing is to be read in conjunction other contract documents.
- 2.The contractor shall check all dimensions on site . Any errors or commissions shall be reported to the engineer before the work commence

WORKMANSHIP

- 1.All concrete work shall be in accordance with S8110/CP114
- 2.All reinforced concrete to be mechanically vibrated

STRUCTURAL STEEL

- 1.To conform with requirements of British standard 449 part 2, 1969
- 2.Main structural steel work to comply with grade 43; 50; &55

APPROVED BY: S.G.

DRAWN BY: P.A.

DESIGN BY: P.A.

CLIENT:

City of Kisumu
P.O. Box 105 - 40100, Kisumu

PROJECT:

DEVELOPMENT OF WASTE MANAGEMENT STATION IN KISUMU CITY

GENERAL LAYOUT

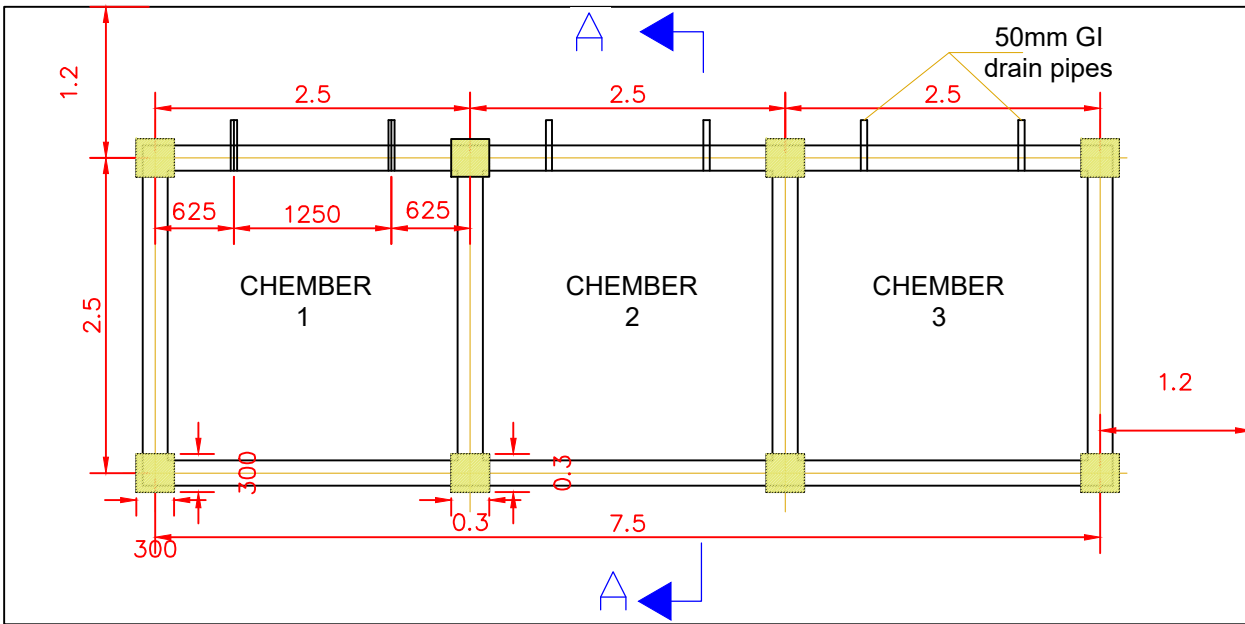
DRAWING NO: CoK/WMT/01

SHEET NO: 1/1

SCALE: 1:40

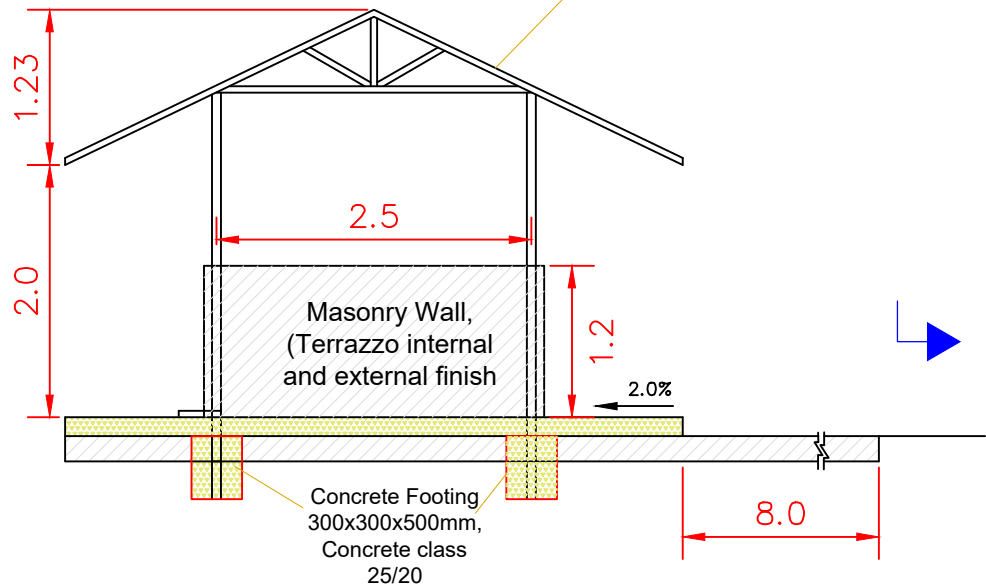
DATE: NOVEMBER 2020

Sorting Chambers



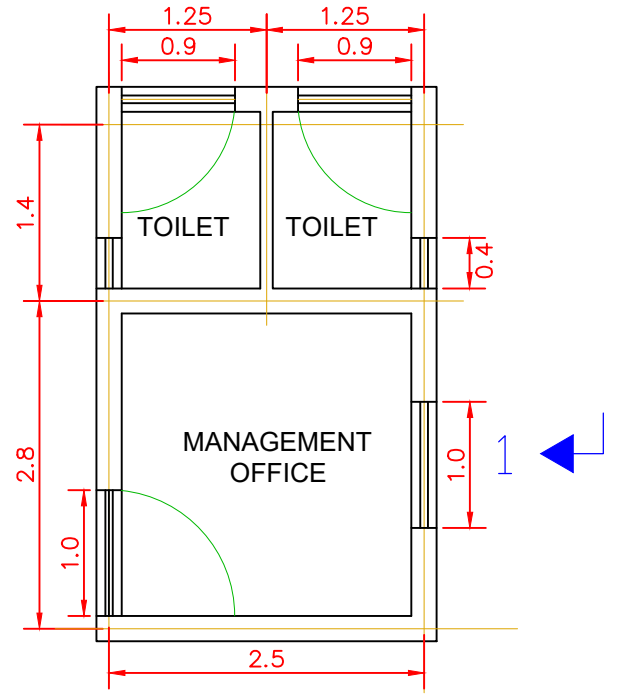
PLAN

ROOF NOTES
 Pitch -25 degrees
 Approved gauge 28 pre painted roofing sheets on 50x50mm tim. purlins on 50x50x3mm RHS Rafters and wall plates mounted on 75x75x3mm RHS



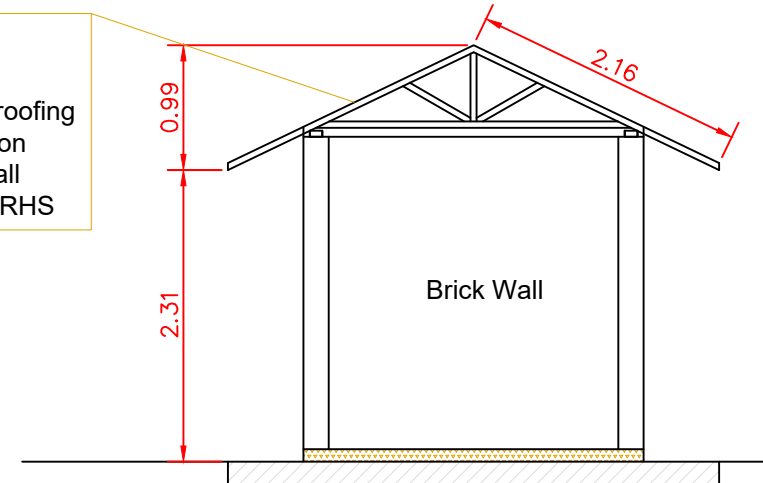
SECTION A-A

Office and Toilet

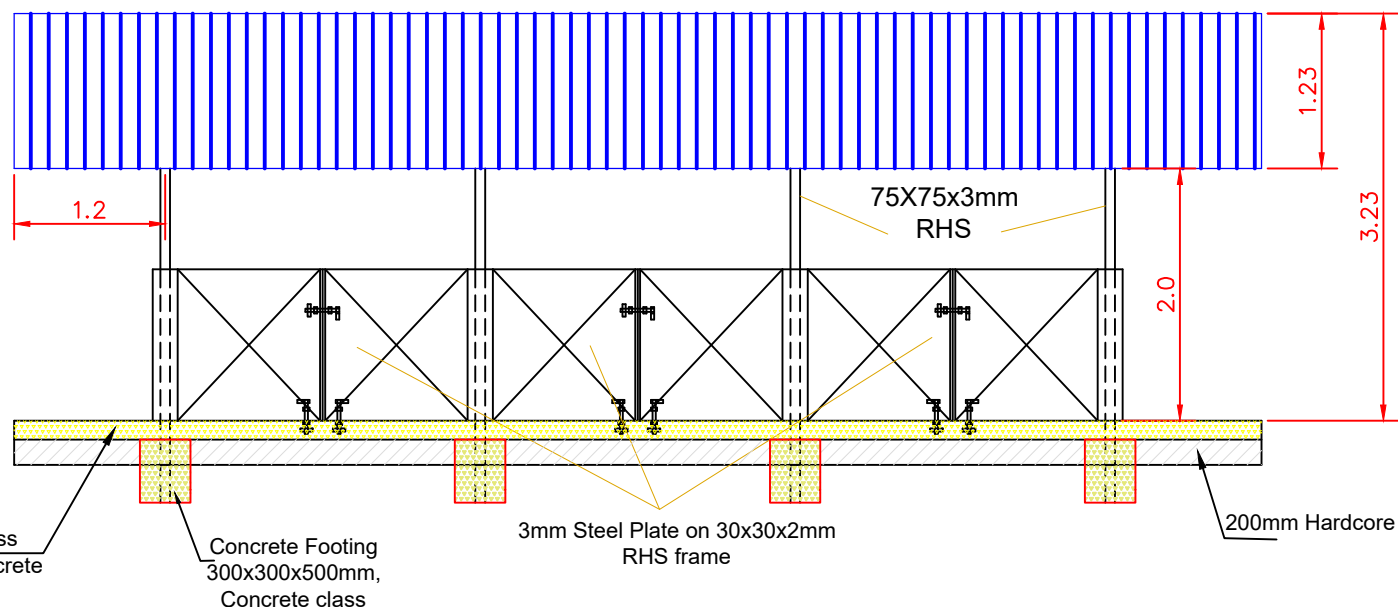


PLAN

ROOF NOTES
 Pitch -25 degrees
 Approved gauge 28 pre painted roofing sheets on 50x50mm tim. purlins on 50x50x3mm RHS Rafters and wall plates mounted on 75x75x3mm RHS



SECTION 1-1



FRONT VIEW

APPROVED BY: S.G.

DRAWN BY: P.A.

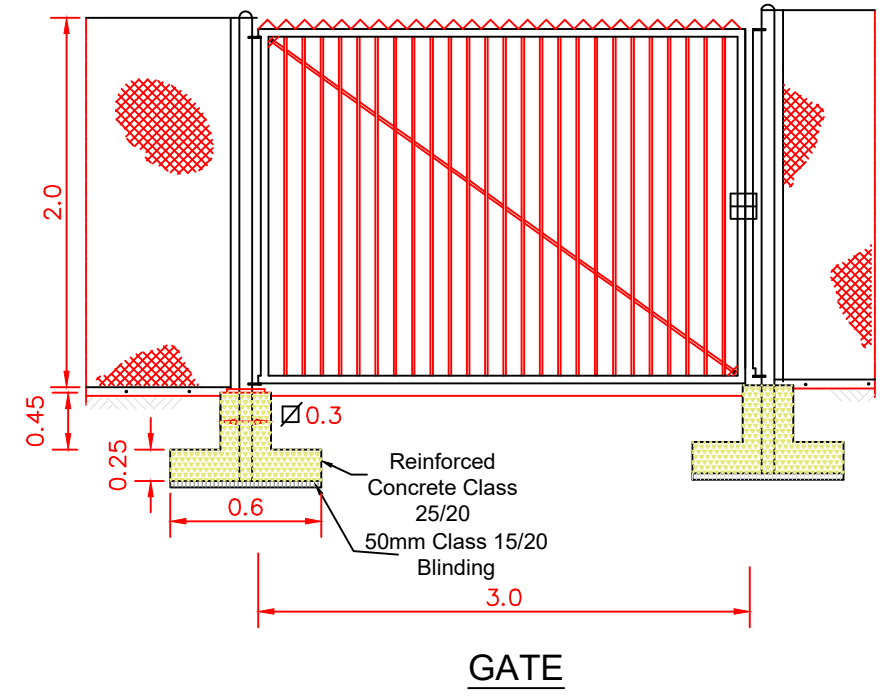
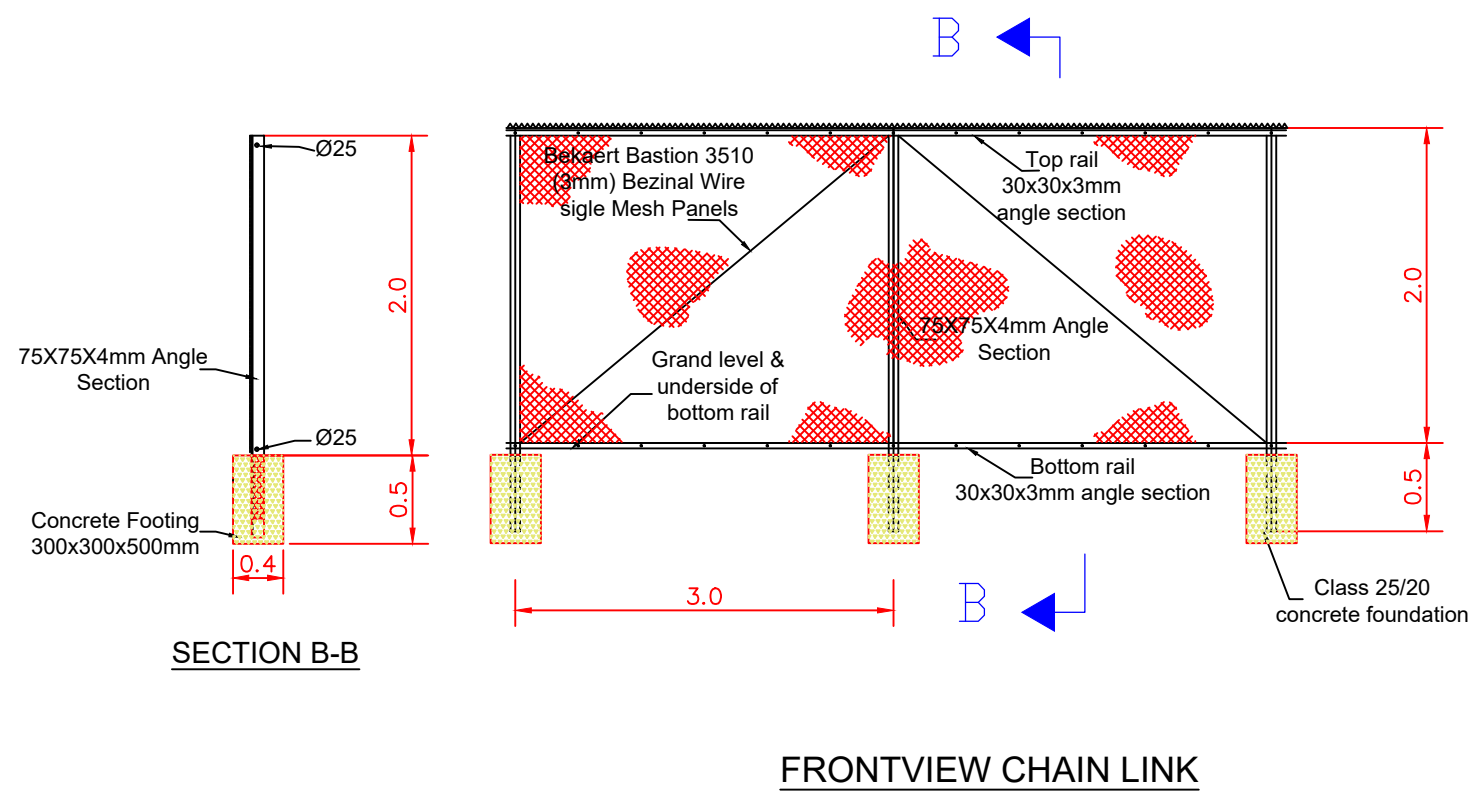
DESIGN BY: P.A.

CLIENT:
 City of Kisumu
 P.O. Box 105 - 40100, Kisumu


PROJECT:
 DEVELOPMENT OF WASTE MANAGEMENT STATION IN KISUMU CITY

BUILDINGS DETAILS	
DRAWING NO: CoK/WMT/03	SHEET NO: 1/1
SCALE: 1:40	DATE: NOVEMBER 2020

NOTES ABOUT THE STEEL MEMBERS
 Steel pillars = Ø100mm, thickness = 4mm Min.
 Gate frame steel members = 60mm x 60mm x 2mm Min.
 Vertical and diagonal steel members = 20mm x 20mm x 2mm Min.
 Distance between the vertical steel members = 135mm C/C
 All the steel members must be galvanised



DESIGN BY: P.A. APPROVED BY: S.G. DRAWN BY: P.A.

CLIENT:
 City of Kisumu
 P.O. Box 105 - 40100, Kisumu

PROJECT:
 DEVELOPMENT OF WASTE MANAGEMENT STATION IN KISUMU CITY

FENCE AND GATE DETAILS	
DRAWING NO: CoK/WMT/04	SHEET NO: 1/1
SCALE: 1:40	DATE: NOVEMBER 2020