

County Government of  
Kisumu

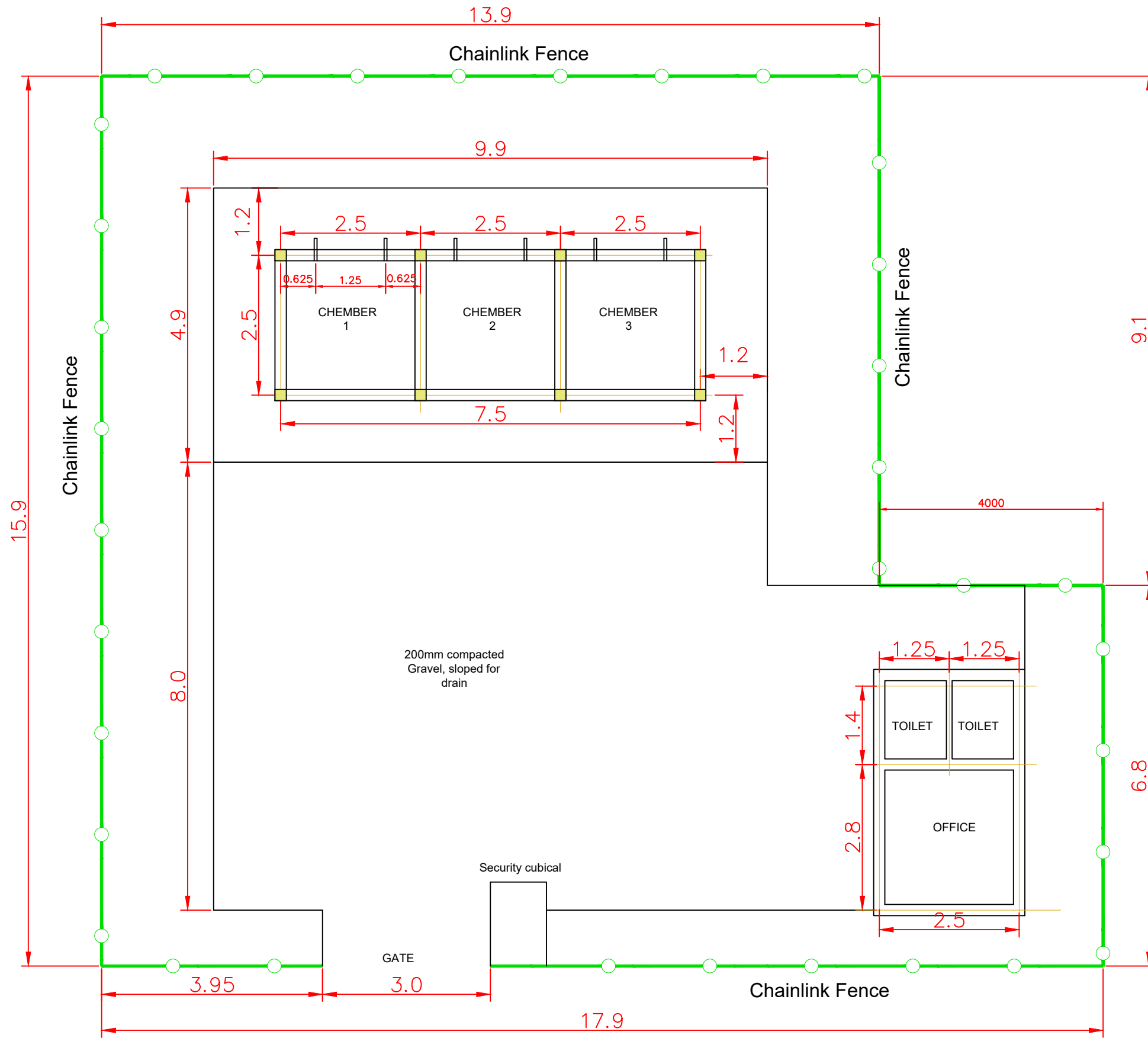


City of Kisumu

# DEVELOPMENT OF WASTE MANAGEMENT STATION

**DRAWINGS**

November, 2020



**GENERAL LAYOUT**

**GENERAL NOTES .**

- 1.This drawing is to be read in conjunction other contract documents.
- 2.The contractor shall check all dimensions on site . Any errors or commissions shall be reported to the engineer before the work commence

**WORKMANSHIP**

- 1.All concrete work shall be in accordance with S8110/CP114
- 2.All reinforced concrete to be mechanically vibrated


**STRUCTURAL STEEL**

- 1.To conform with requirements of British standard 449 part 2, 1969
- 2.Main structural steel work to comply with grade 43; 50; &55

APPROVED BY: S.G.

DRAWN BY: P.A.

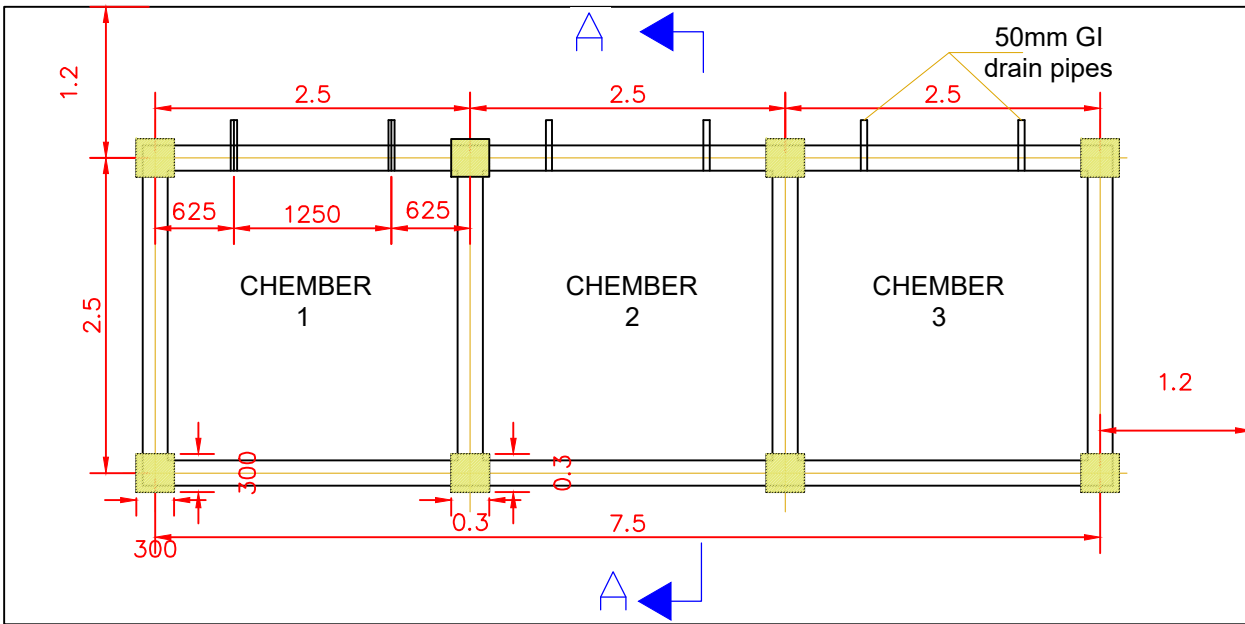
DESIGN BY: P.A.

CLIENT:  

 City of Kisumu  
 P.O. Box 105 - 40100, Kisumu

PROJECT:  
**DEVELOPMENT OF WASTE MANAGEMENT STATION IN KISUMU CITY**

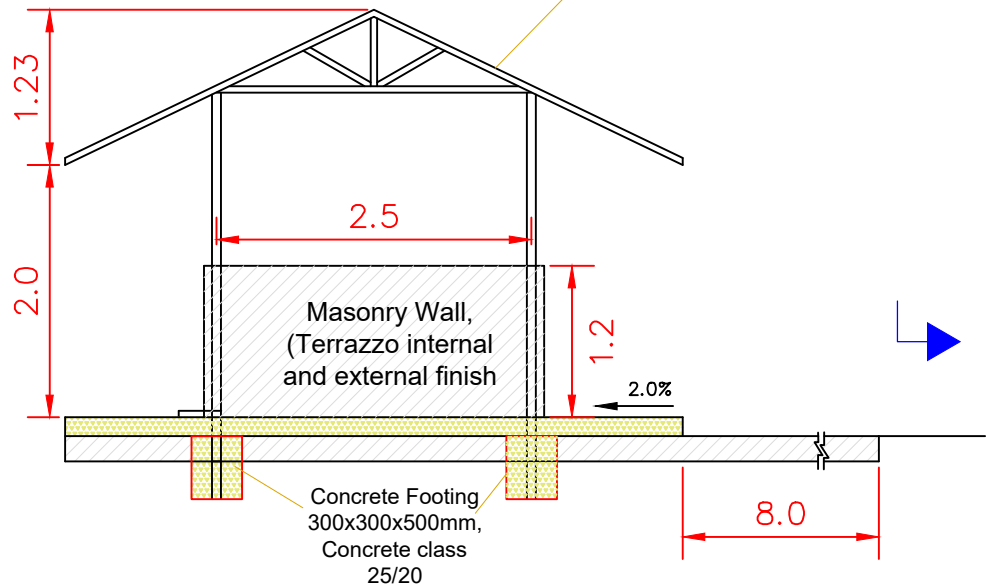
<b>GENERAL LAYOUT</b>	
DRAWING NO: CoK/WMT/01	SHEET NO: 1/1
SCALE: 1:40	DATE: NOVEMBER 2020

# Sorting Chambers



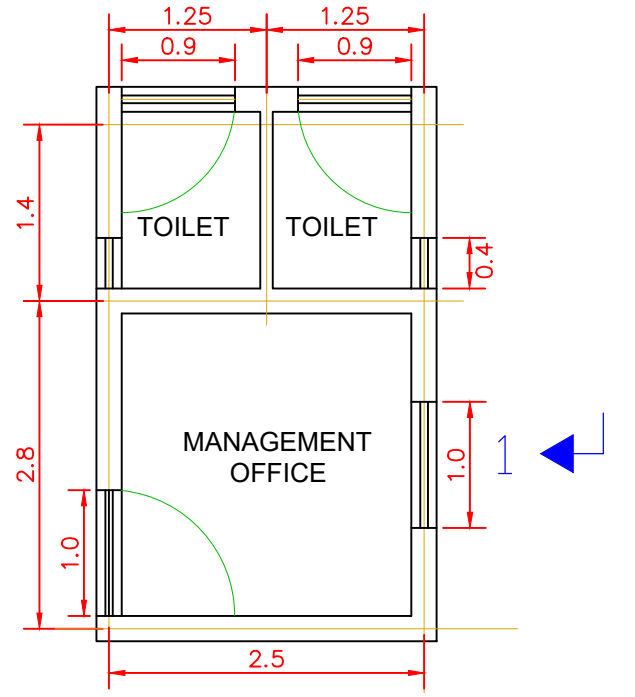
PLAN

**ROOF NOTES**  
 Pitch -25 degrees  
 Approved gauge 28 pre painted roofing sheets on 50x50mm tim. purlins on 50x50x3mm RHS Rafters and wall plates mounted on 75x75x3mm RHS



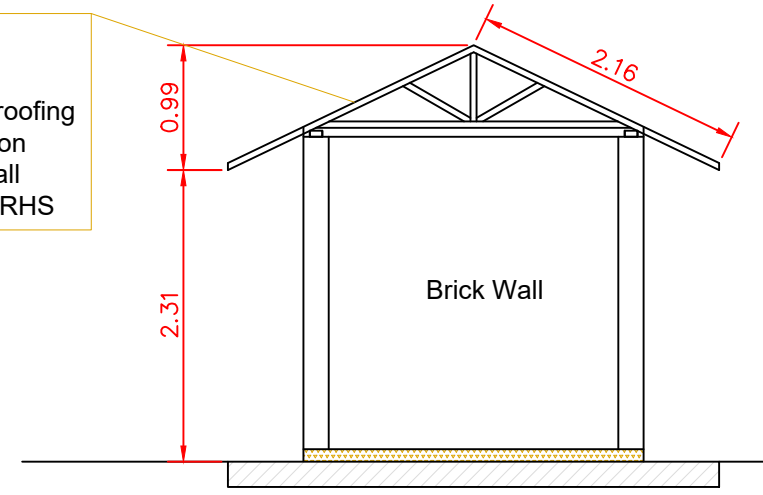
SECTION A-A

# Office and Toilet

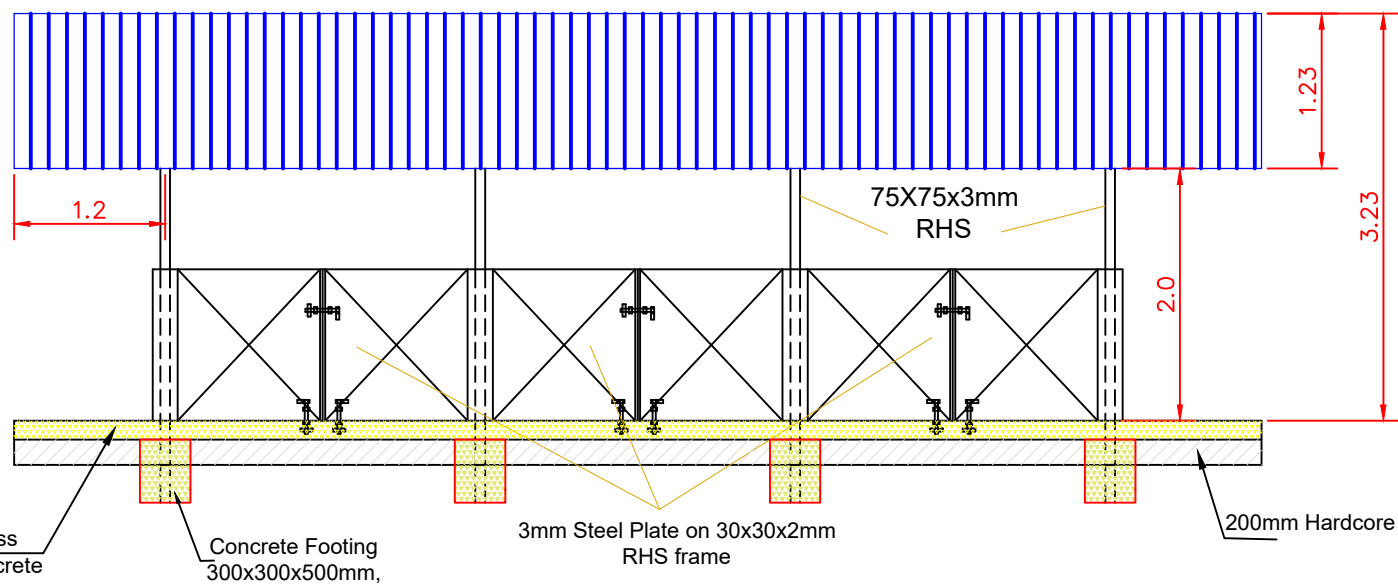


PLAN

**ROOF NOTES**  
 Pitch -25 degrees  
 Approved gauge 28 pre painted roofing sheets on 50x50mm tim. purlins on 50x50x3mm RHS Rafters and wall plates mounted on 75x75x3mm RHS



SECTION 1-1



FRONT VIEW

APPROVED BY: S.G.

DRAWN BY: P.A.

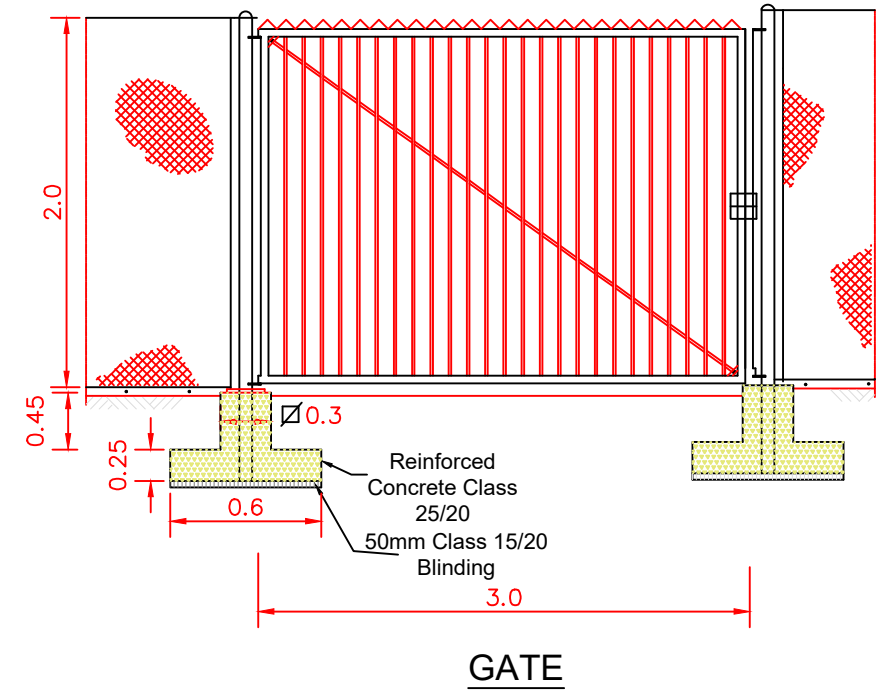
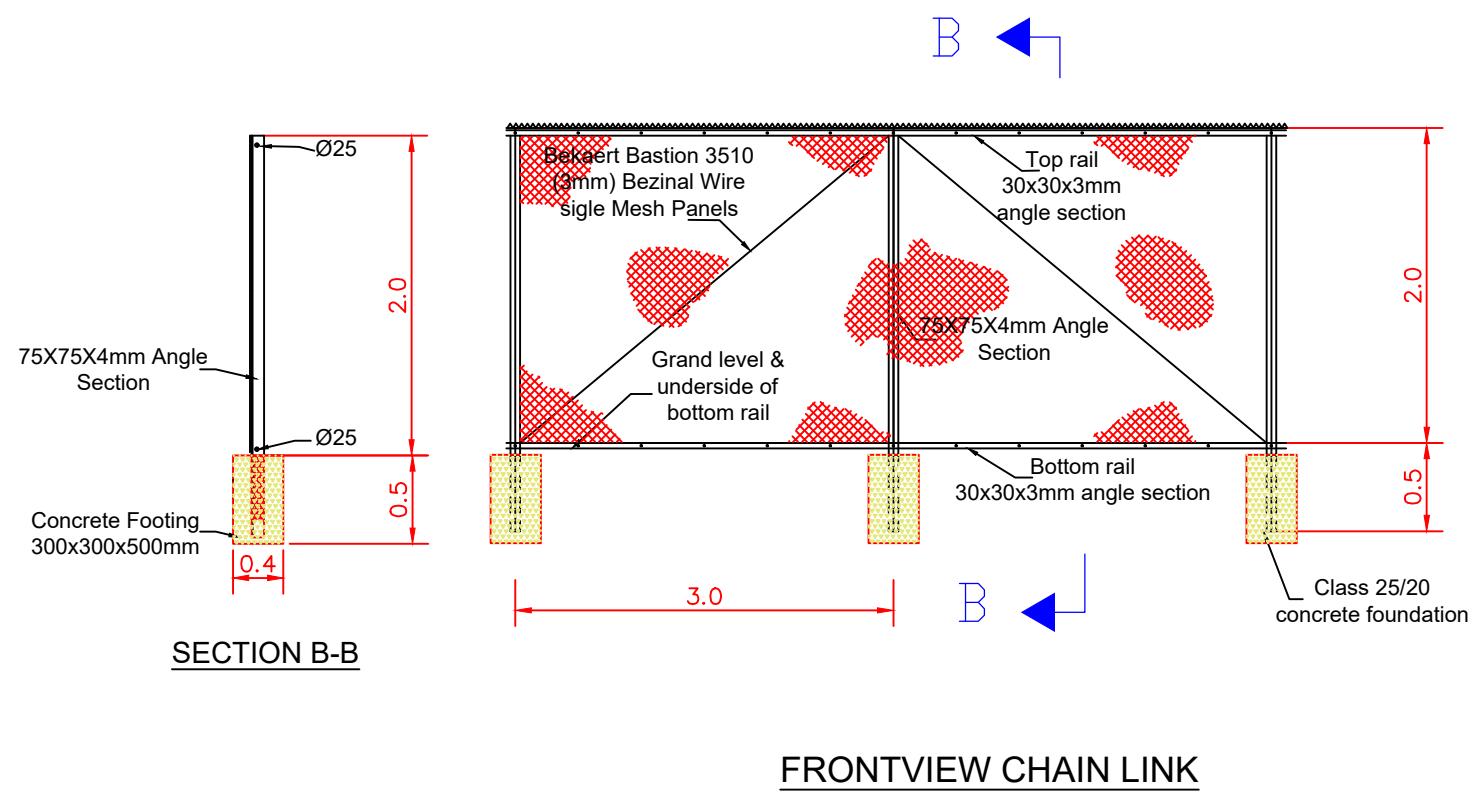
DESIGN BY: P.A.

CLIENT:  
 City of Kisumu  
 P.O. Box 105 - 40100, Kisumu


PROJECT:  
 DEVELOPMENT OF WASTE MANAGEMENT STATION IN KISUMU CITY

BUILDINGS DETAILS	
DRAWING NO: CoK/WMT/03	SHEET NO: 1/1
SCALE: 1:40	DATE: NOVEMBER 2020

**NOTES ABOUT THE STEEL MEMBERS**  
 Steel pillars = Ø100mm, thickness = 4mm Min.  
 Gate frame steel members = 60mm x 60mm x 2mm Min.  
 Vertical and diagonal steel members = 20mm x 20mm x 2mm Min.  
 Distance between the vertical steel members = 135mm C/C  
 All the steel members must be galvanised



DESIGN BY: P.A. APPROVED BY: S.G. DRAWN BY: P.A.

CLIENT:  
 City of Kisumu  
 P.O. Box 105 - 40100, Kisumu

PROJECT:  
**DEVELOPMENT OF WASTE MANAGEMENT STATION IN KISUMU CITY**

FENCE AND GATE DETAILS	
DRAWING NO: CoK/WMT/04	SHEET NO: 1/1
SCALE: 1:40	DATE: NOVEMBER 2020