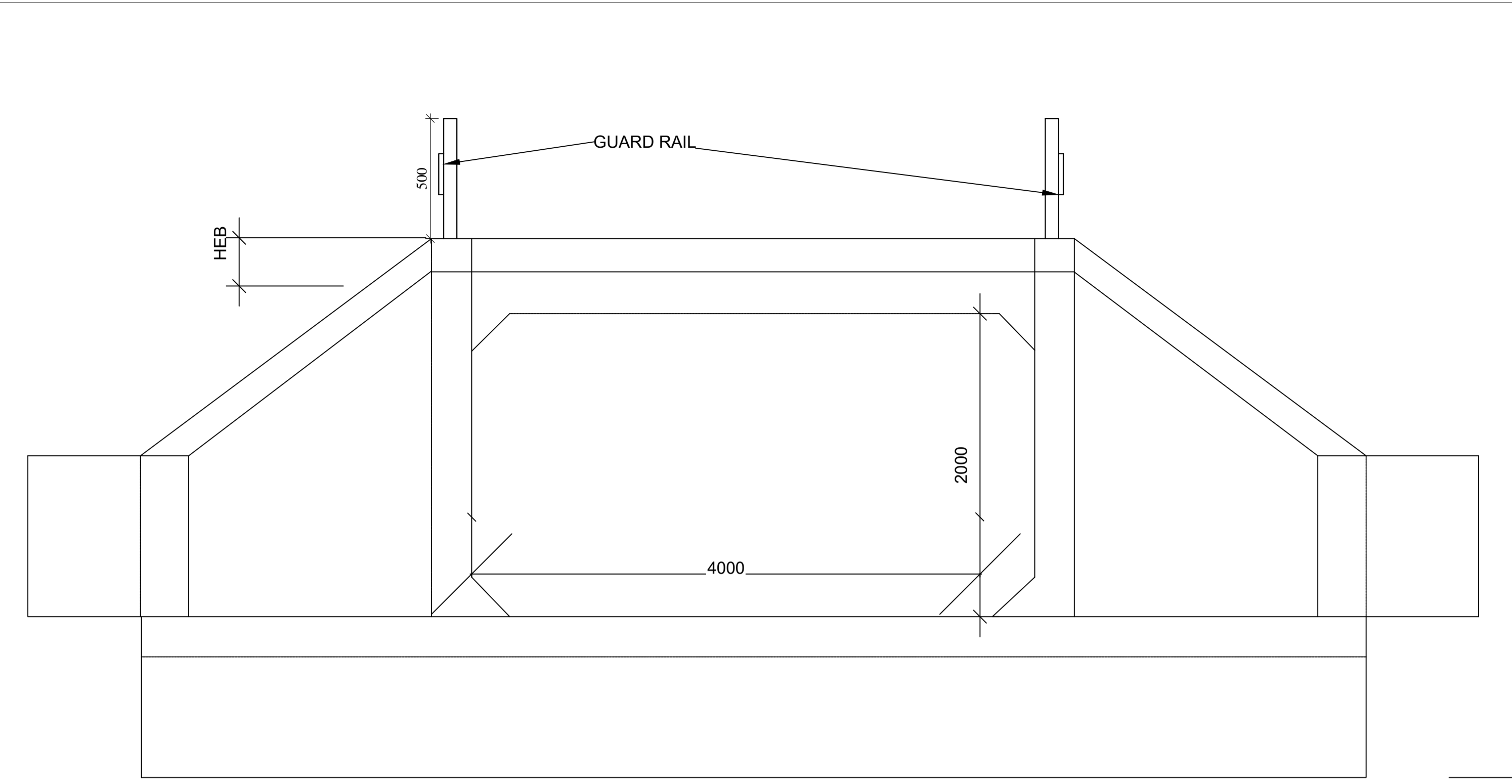
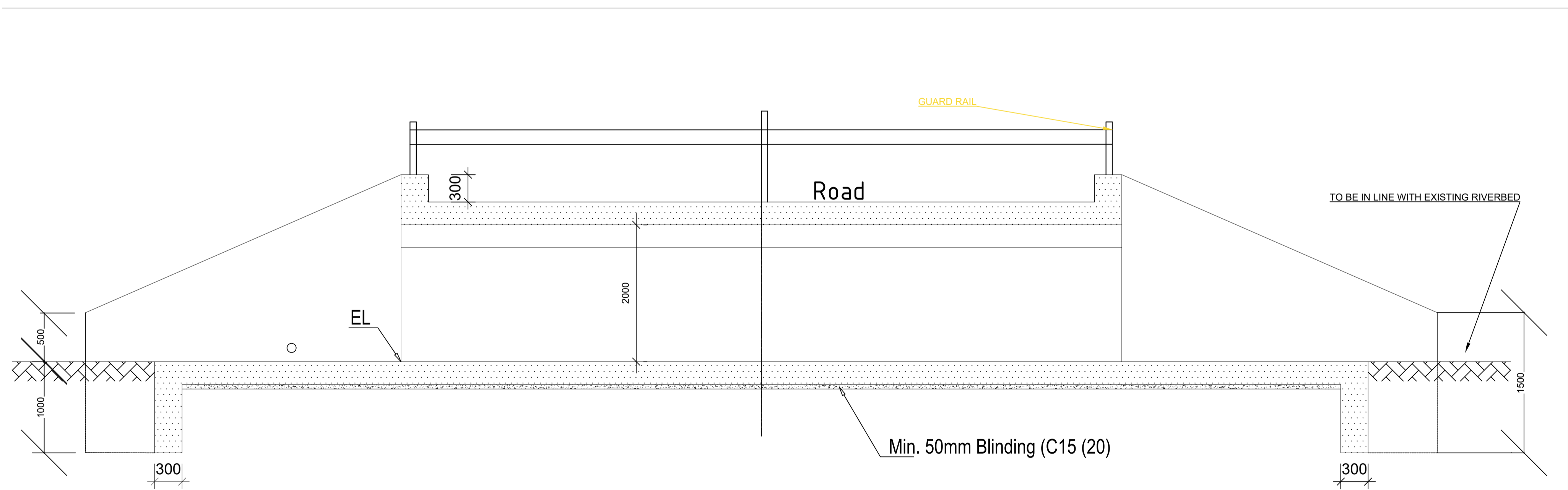


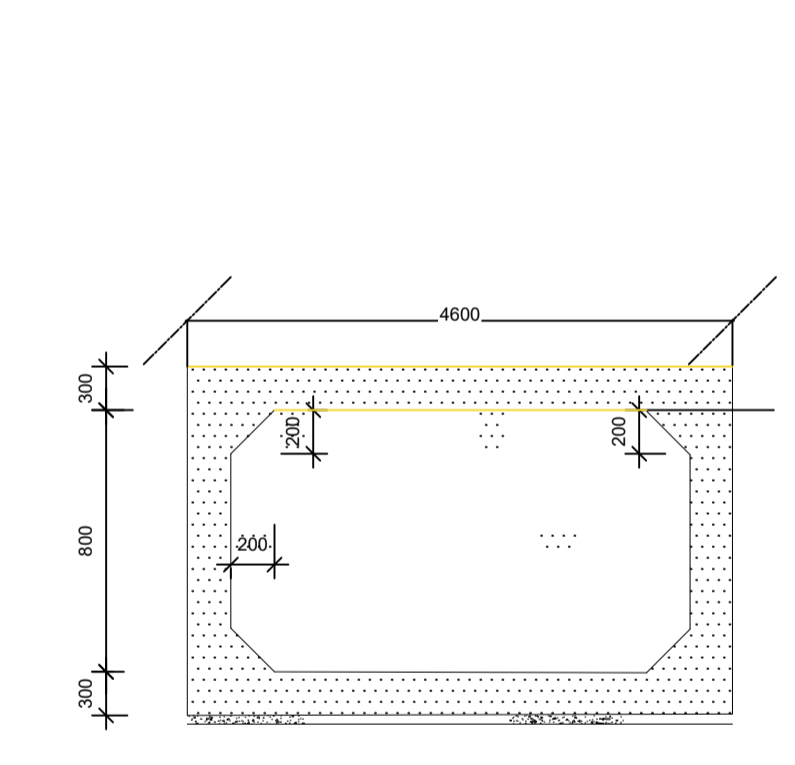
**PLAN**  
SCALE 1:50



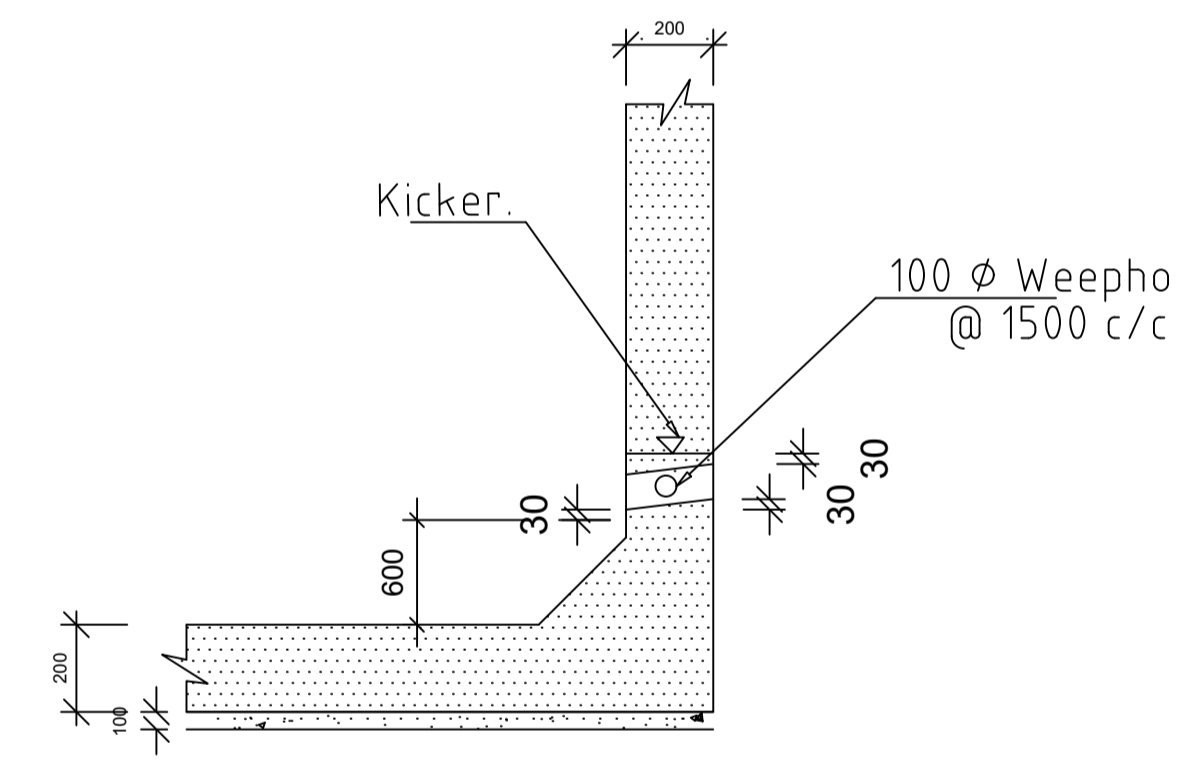
**ELEVATION B**  
SCALE 1:50



**SECTION A**  
SCALE 1:50



**SECTION C-C**  
SCALE 1:50



**KICKER AND WEEPHOLE DETAIL**  
SCALE 1:25

**NOTES**

1. All Dimensions in mm.

- NOTES**
- This drawing must be read in conjunction with the schedule of division box drawing number 2012/116/OLUCH/STANDARD/4 and various tertiary canal profile.
  - The contractor must confirm all dimensions on the site before commencing any work
  - All dimensions are in millimeters unless specified otherwise.
  - Concrete cover to reinforcement steel to be: (i) foundation = 50mm. (ii) beams = 25mm. (iii) columns = 30mm. (iv) slab & staircase = 20mm
  - Concrete strength for structural concrete members to be class 25 (1:1.5:3) and that for blinding to be class 15/40 (1:4:8).
  - All steel reinforcement must be approved by the Engineer before casting.

- NOTES**
- All Dimensions in mm.
  - See Section A-A in Dwg. No. K270/ST/03

**PROJECT TITLE**  
PROPOSED CONSTRUCTION OF  
BOX CULVERT AT  
OBUSO (ANGOLA-RABUOR)  
KISUMU CITY.

**DRAWING TITLE**  
STRUCTURAL DETAILS

**CLIENT**  
COUNTY GOVERNMENT OF KISUMU,  
CITY OF KISUMU

**DESIGNED BY**  
C.M

**CHECKED BY**  
KEVIN AJUUL

**APPROVED BY**  
CITY ENGINEER

**DATE**  
SEPT 2020  
**SCALE(S)**

**DRAWING NO.**